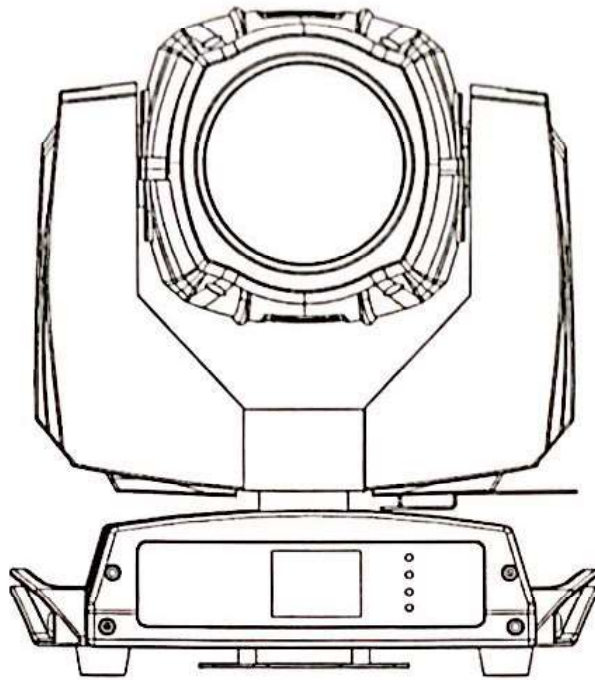


Product Instruction



Q-2012B

Beam 200

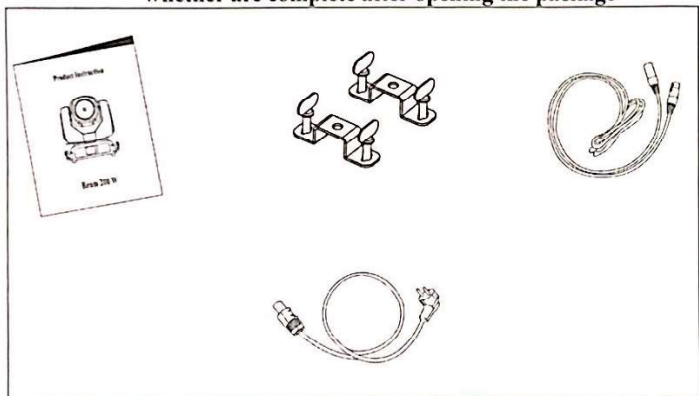
PRO
LIGHT
UK LIMITED

Welcome to use this product

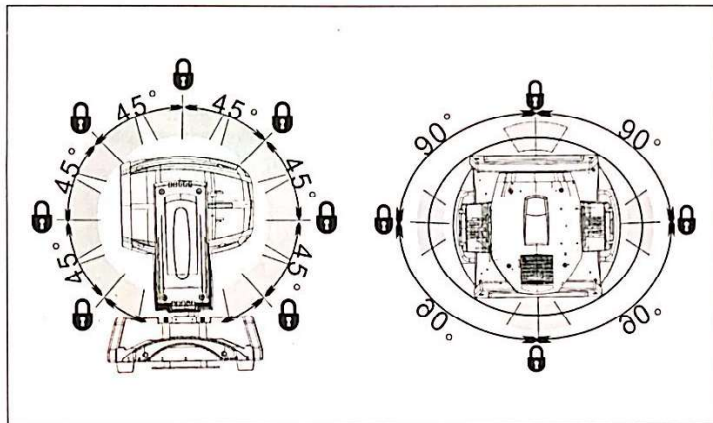
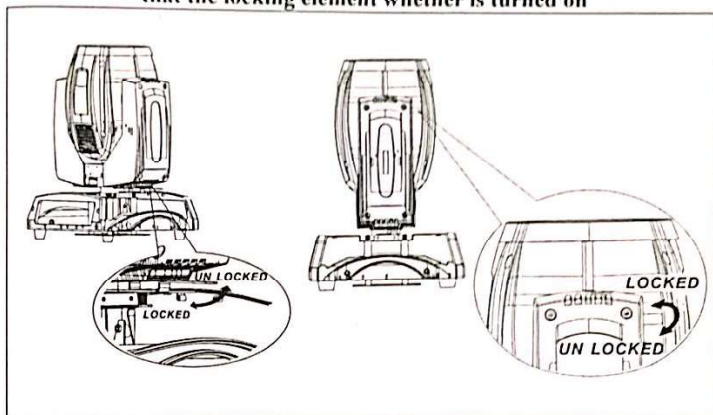
Attention! For your safety, please read this instruction carefully before the first installation.


Please open your purchased product packaging, confirm whether there is the presence or absence due to damage caused by transport. If so, please immediately consult your local dealer or our company and do not start operating this product.


Please check the following accessories whether are complete after opening the package



Before running this device, please check that the locking element whether is turned on




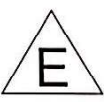
| | |
|--|---|
|  | <ul style="list-style-type: none"> ● Minimum distance of illuminated objects The projector needs to be positioned so that the objects hit by the beam of light are at least 5 meters (16.4') from the lens of the projector. |
| | <ul style="list-style-type: none"> ● Minimum distance from flammable materials The projector must be positioned so that any flammable materials are at least 0.20 meters (0.6') from every point on the surface of the fitting. |


| | |
|--|---|
|  | <ul style="list-style-type: none"> ● Mounting surfaces It is permissible to mount the fitting on normally flammable surfaces. |
|--|---|


| | |
|------------|---|
| t_a 40°C | <ul style="list-style-type: none"> ● Maximum ambient temperature Do not operate the fixture if the ambient temperature (Ta) exceeds 40°C (104°F). |
|------------|---|


| | |
|-------------|--|
| IP20 | <ul style="list-style-type: none"> ● IP20 protection rating The fitting is protected against penetration by solid bodies of over 12mm (0.47") in diameter (first digit 2), but not against dripping water, rain, splashes or jets of water (second digit 0). |
|-------------|--|

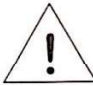
| | |
|---|---|
|  | <ul style="list-style-type: none"> ● Protection against electrical shock Connection must be made to a power supply system fitted with efficient earthing (Class I appliance according to standard EN 60598-1). It is, moreover, recommended to protect the supply lines of the projectors from indirect contact and / or shorting to earth by using appropriately sized residual current devices. |
| | <ul style="list-style-type: none"> ● Connection to mains supply Connection to the electricity mains must be carried out by a qualified electrical installer. Check that the mains frequency and voltage correspond to those for which the projector is designed as given on the electrical data label. This label also gives the input power to which you need to refer to evaluate the maximum number of fittings to connect to the electricity line, in order to avoid overloading. |

| | |
|---|---|
|  | <ul style="list-style-type: none"> ● Lamp The fitting mounts a high-pressure lamp that needs an external igniter is fitted onto the apparatus. -Carefully read the "operating instruction" provided by the lamp manufacturer. -Immediately replace the lamp if damaged or deformed by heat. |
|---|---|

 ● **Battery**
 This product contains a rechargeable lead-acid or lithium iron tetra phosphate battery. To preserve the environment, please dispose the battery at the end of its life according to the regulation in force.

| | | |
|--|------------------------------|---------------------------|
|  | LVD tested: | EMC tested: |
| | EN 60598-2-17: 1989+A2: 1991 | EN 55103-1: 2009+A1: 2012 |
| | EN 60598-1: 2008+A11: 2009 | EN55103-2: 2009 |
| | EN 62493: 2010 | EN 61000-3-2: 2014 |
| | | EN 61000-3-3: 2013 |

 ENC 150401GZ98R1

 NOT FOR RESIDENTIAL USE

Safety Instructions

CAUTION! Be careful with your operations. With a dangerous voltage you can suffer a dangerous electric shock when touching the wire!

This device has left our premises in absolutely perfect condition. In order to maintain this condition and to ensure a safe operation, it is absolutely necessary for the user to follow the safety instructions and warning notes written in this product instruction.

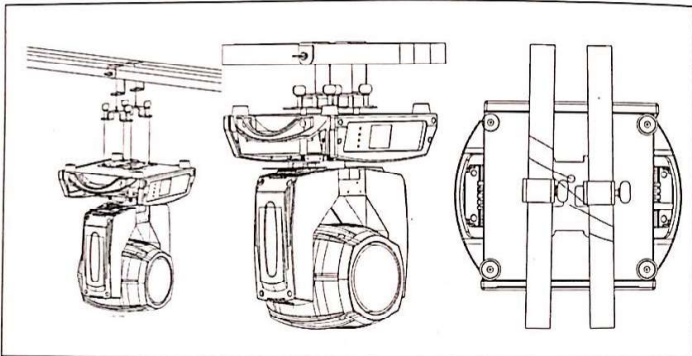
Important statement:

Damages caused by the disregard of this product instruction are not subject to warranty. The dealer will not accept liability for any resulting defects or problems.

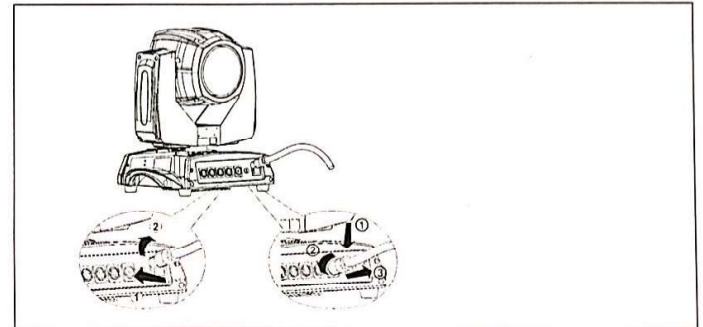
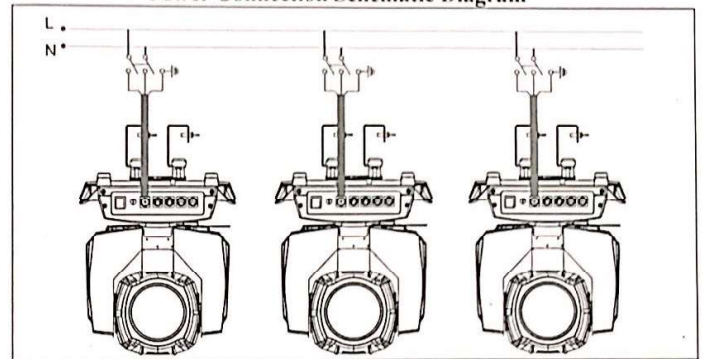
- If the device has been exposed to drastic temperature fluctuation, (c.g. after transportation), do not open the light at once. The agglomeration of vapor is likely destroying your product. Do not open the product until it reach normal temperature.
- This device falls under protection class 1. The power plug must only be plugged into a protection class 1 outlet. Never let the power cord come into contact with other cables! Handle the power cord all connections with the mains with particular caution!
- Make sure that the available voltage is not higher than stated on the rear panel (100-240V)
- There may be some of the first boot smoke or gas, which is normal and does not mean that the device has a problem.
- **CAUTION:** During the operation, the housing becomes very hot.

- Never frequently open / close the device for reducing the life span of the lamp.
- Never look directly into the light source, because sensitive people can cause discomfort (especially for epilepsy patients).
- Damages caused by non-observance are not subject to warranty.
- Please note that the damage caused by the user's own changing machine is not covered by the warranty.
- Keep away children and non-professionals!

Installation Schematic Diagram

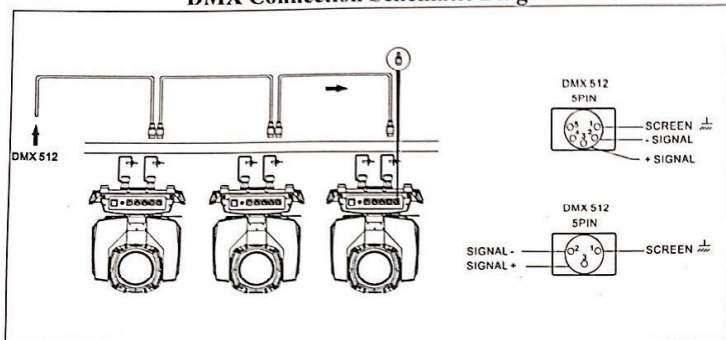


Power Connection Schematic Diagram



Note: Make sure the power is connected correctly with fire wire, zero line and ground, must not be connected backwards; otherwise it will cause a short circuit and danger!

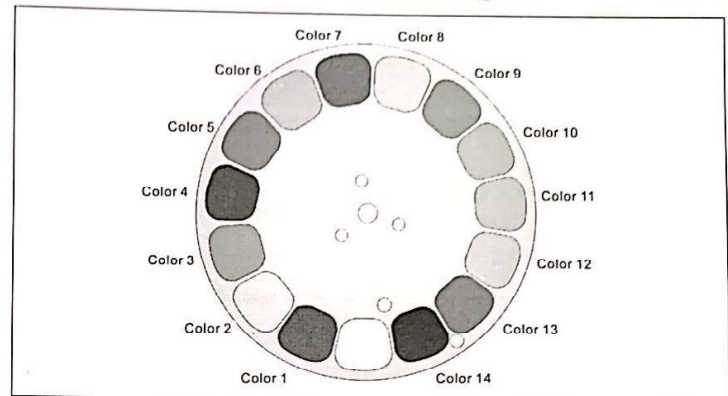
DMX Connection Schematic Diagram



DMX 512 Connection / Connection between Fixtures

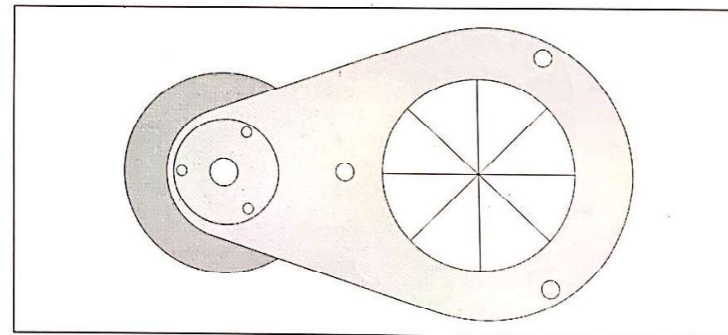
The wires must not come into contact with each other; otherwise the fixtures will not work at all, or will not work properly. Only use a shielded signal cable and 3-pin / 5-pin XLR-plugs and connectors so that the device can connect with the controller or connect one fixture with others.

Color Wheel Schematic Diagram



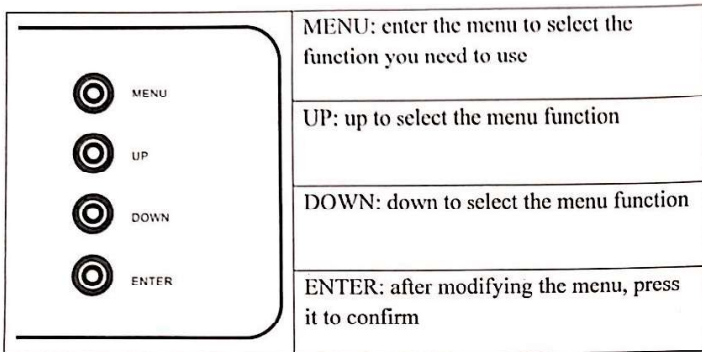
Note: 14 colors plus white

Prism Wheel Schematic Diagram

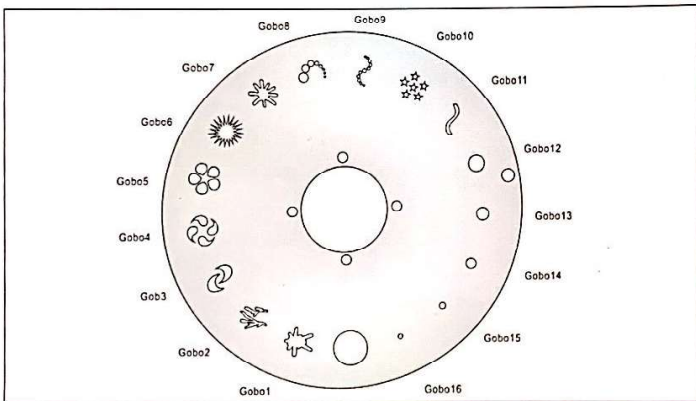


Note: eight-facet prism

Four Buttons Operation Schematic Diagram

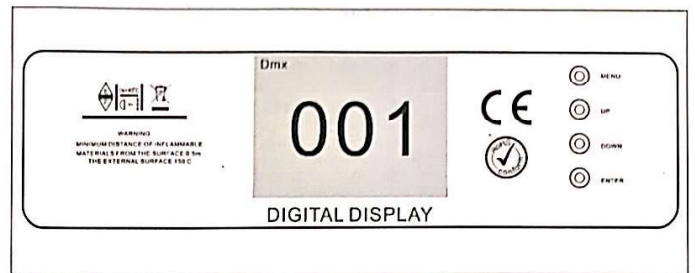


Gobo Wheel Schematic Diagram



Note: 17 gobos plus white

Display Schematic Diagram



The display is touch screen, you can set all the features, select English and Chinese rapidly, positive and negative direction is available.

DMX Channels

16 DMX Channels Description:

| Channel | Function | Data | Function Description |
|---------|------------------|----------|----------------------|
| CH1 | Pan | 0--255 | Rotate 450 degrees |
| CH2 | Tilt | 0--255 | Rotate 270 degrees |
| CH3 | Pan Fine | 0--255 | 0--2.1 degrees |
| CH4 | Tilt Fine | 0--255 | 0--1.0 degrees |
| CH5 | Pan / Tilt Speed | 0--255 | From fast to slow |
| CH6 | Dimmer | 0--255 | From dark to bright |
| CH7 | Strobe | 0--7 | No brightness |
| | | 8--15 | Open |
| | | 16--200 | From slow to fast, |
| | | 201--255 | Open |
| CH8 | Color Wheel | 0--4 | White |
| | | 5--8 | White, red |
| | | 9--13 | Red |
| | | 14--17 | Red, yellow |
| | | 18--22 | Yellow |
| | | 23--26 | Yellow, blue |
| | | 27--30 | Blue |
| | | 31--35 | Blue, green |
| | | 36--39 | Green |
| | | 40--44 | Green, CTO |
| | | 45--48 | CTO |
| | | 49--53 | CTO, magenta |

| | | | |
|-----|------------|----------|--|
| | | 54--57 | Magenta |
| | | 58--61 | Magenta, CTB |
| | | 62--66 | CTB |
| | | 67--70 | CTB, brown yellow |
| | | 71--75 | Brown yellow |
| | | 76--79 | Brown yellow, cyan |
| | | 80--83 | Cyan |
| | | 84--88 | Cyan, amaranth |
| | | 89--92 | Amaranth |
| | | 93--97 | Amaranth, UV |
| | | 98--101 | UV |
| | | 102--106 | UV, deep yellow |
| | | 107--110 | Deep yellow |
| | | 111--114 | Deep yellow, yellow green |
| | | 115--119 | Yellow green |
| | | 120--123 | Yellow green, light bluish violet |
| | | 124--127 | Light bluish violet |
| | | 128--189 | Clockwise rotate, from fast to slow |
| | | 190--193 | Stop |
| | | 194--255 | Anti-clockwise rotate, from slow to fast |
| CH9 | Gobo Wheel | 0--3 | White |
| | | 4--6 | Gobo1 |
| | | 7--9 | Gobo2 |

| | | | |
|--|--|--------|----------------------------|
| | | 10--12 | Gobo3 |
| | | 13--15 | Gobo4 |
| | | 16--18 | Gobo5 |
| | | 19--21 | Gobo6 |
| | | 22--24 | Gobo7 |
| | | 25--27 | Gobo8 |
| | | 28--30 | Gobo9 |
| | | 31--33 | Gobo10 |
| | | 34--36 | Gobo11 |
| | | 37--39 | Gobo12 |
| | | 40--42 | Gobo13 |
| | | 43--45 | Gobo14 |
| | | 46--48 | Gobo15 |
| | | 49--51 | Gobo16 |
| | | 52--55 | Gobo17 |
| | | 56--59 | White shaking |
| | | 60--63 | Gobo1 shaking (slow-fast) |
| | | 64--67 | Gobo2 shaking (slow-fast) |
| | | 68--71 | Gobo3 shaking (slow-fast) |
| | | 72--75 | Gobo4 shaking (slow-fast) |
| | | 76--79 | Gobo5 shaking (slow-fast) |
| | | 80--83 | Gobo6 shaking (slow-fast) |
| | | 84--87 | Gobo7 shaking (slow-fast) |
| | | 88--91 | Gobo8 shaking (slow-fast) |

| | | | |
|------|-------------------|----------|--|
| | | 92--95 | Gobo9 shaking (slow-fast) |
| | | 96--99 | Gobo10 shaking (slow-fast) |
| | | 100--103 | Gobo11 shaking (slow-fast) |
| | | 104--107 | Gobo12 shaking (slow-fast) |
| | | 108--111 | Gobo13 shaking (slow-fast) |
| | | 112--115 | Gobo14 shaking (slow-fast) |
| | | 116--119 | Gobo15 shaking (slow-fast) |
| | | 120--123 | Gobo16 shaking(slow-fast) |
| | | 124--127 | Gobo17 shaking (slow-fast) |
| | | 128--189 | Clockwise rotate, from fast to slow |
| | | 190--193 | Stop |
| | | 194--255 | Anti-clockwise rotate, from slow to fast |
| CH10 | Eight-Facet Prism | 0--10 | No function |
| | | 11--255 | Eight-facet prism |
| CH11 | Prism Rotation | 0--7 | No function |
| | | 8--127 | Index |
| | | 128--189 | Anti-clockwise rotate, from fast to slow |
| | | 190--193 | Stop |
| | | 194--255 | Clockwise rotate, from slow to fast |
| CH12 | Focus | 0--255 | Focus |
| CH13 | Frost | 0--255 | Frost |

| | | | |
|------|--------------------|----------|---------------------|
| CH14 | Macro Function | 0--255 | Pan / tilt macro |
| CH15 | Lamp Off / Lamp On | 0--50 | No function |
| | | 51--100 | Lamp on |
| | | 101--150 | Lamp off |
| | | 151--255 | No function |
| CH16 | Reset | 0--50 | No function |
| | | 51--100 | Renew factory state |
| | | 101--255 | No function |

20 DMX Channels Description:

| Channel | Function | Data | Function Description |
|---------|------------------|----------|----------------------|
| CH1 | Pan | 0--255 | Rotate 450 degrees |
| CH2 | Tilt | 0--255 | Rotate 270 degrees |
| CH3 | Pan Fine | 0--255 | 0--2.1 degrees |
| CH4 | Tilt Fine | 0--255 | 0--1.0 degrees |
| CH5 | Pan / Tilt Speed | 0--255 | From fast to slow |
| CH6 | Dimmer | 0--255 | From dark to bright |
| CH7 | Strobe | 0--7 | No brightness |
| | | 8--15 | Open |
| | | 16--200 | From slow to fast, |
| | | 201--255 | Open |

| CH8 | Color Wheel | | |
|----------|--------------------|--------|----------------------------|
| | | 0--4 | White |
| | | 5--8 | White, red |
| | | 9--13 | Red |
| | | 14--17 | Red, yellow |
| | | 18--22 | Yellow |
| | | 23--26 | Yellow, blue |
| | | 27--30 | Blue |
| | | 31--35 | Blue, green |
| | | 36--39 | Green |
| | | 40--44 | Green, deep yellow |
| | | 45--48 | Deep yellow |
| | | 49--53 | Deep yellow, magenta |
| | | 54--57 | Magenta |
| | | 58--61 | Magenta, UV |
| | | 62--66 | UV |
| | | 67--70 | UV, CTO |
| | | 71--75 | CTO |
| | | 76--79 | CTO, yellow green |
| | | 80--83 | Yellow green |
| | | 84--88 | Yellow green, brown yellow |
| 89--92 | Brown yellow | | |
| 93--97 | Brown yellow, cyan | | |
| 98--101 | Cyan | | |
| 102--106 | Cyan, amaranth | | |

| | | | |
|-----|------------|----------|--|
| | | 107—110 | Amaranth |
| | | 111--114 | Amaranth, light bluish violet |
| | | 115--119 | Light bluish violet |
| | | 120--123 | Light bluish violet, CTB |
| | | 124--127 | CTB |
| | | 128--189 | Clockwise rotate, from fast to slow |
| | | 190--193 | Stop |
| | | 194--255 | Anti-clockwise rotate, from slow to fast |
| CH9 | Gobo Wheel | 0--3 | White |
| | | 4--6 | Gobo1 |
| | | 7--9 | Gobo2 |
| | | 10--12 | Gobo3 |
| | | 13--15 | Gobo4 |
| | | 16--18 | Gobo5 |
| | | 19--21 | Gobo6 |
| | | 22--24 | Gobo7 |
| | | 25--27 | Gobo8 |
| | | 28--30 | Gobo9 |
| | | 31--33 | Gobo10 |
| | | 34--36 | Gobo11 |
| | | 37--39 | Gobo12 |
| | | 40--42 | Gobo13 |
| | | 43--45 | Gobo14 |
| | | 46--48 | Gobo15 |

| | | | |
|--|--|----------|--|
| | | 49--51 | Gobo16 |
| | | 52--55 | Gobo17 |
| | | 56--59 | White shaking |
| | | 60--63 | Gobo1 shaking (slow-fast) |
| | | 64--67 | Gobo2 shaking (slow-fast) |
| | | 68--71 | Gobo3 shaking (slow-fast) |
| | | 72--75 | Gobo4 shaking (slow-fast) |
| | | 76--79 | Gobo5 shaking (slow-fast) |
| | | 80--83 | Gobo6 shaking (slow-fast) |
| | | 84--87 | Gobo7 shaking (slow-fast) |
| | | 88--91 | Gobo8 shaking (slow-fast) |
| | | 92--95 | Gobo9 shaking (slow-fast) |
| | | 96--99 | Gobo10 shaking (slow-fast) |
| | | 100--103 | Gobo11 shaking (slow-fast) |
| | | 104--107 | Gobo12 shaking (slow-fast) |
| | | 108--111 | Gobo13 shaking (slow-fast) |
| | | 112--115 | Gobo14 shaking (slow-fast) |
| | | 116--119 | Gobo15 shaking (slow-fast) |
| | | 120—123 | Gobo16 shaking(slow-fast) |
| | | 124--127 | Gobo17 shaking (slow-fast) |
| | | 128--189 | Clockwise rotate, from fast to slow |
| | | 190--193 | Stop |
| | | 194--255 | Anti-clockwise rotate, from slow to fast |

| | | | |
|------|--------------------|----------|--|
| CH10 | Eight-Facet Prism | 0--10 | No function |
| | | 11--255 | Eight-facet prism |
| CH11 | Prism Rotation | 0--7 | No function |
| | | 8--127 | Index |
| | | 128--189 | Anti-clockwise rotate, from fast to slow |
| | | 190--193 | Stop |
| | | 194--255 | Clockwise rotate, from slow to fast |
| CH12 | Focus | 0--255 | Focus |
| CH13 | Frost | 0--255 | Frost |
| CH14 | Macro Function | 0--255 | Pan / tilt macro |
| CH15 | Lamp Off / Lamp On | 0--50 | No function |
| | | 51--100 | Lamp on |
| | | 101--150 | Lamp off |
| | | 151--255 | No function |
| CH16 | Reset | 0--50 | No function |
| | | 51--100 | Renew factory state |
| | | 101--255 | No function |
| CH17 | Color Speed | 0 | Fast |
| | | 1--254 | From fast to slow |
| | | 255 | Fast |

| | | | |
|------|-------------|--------|---|
| CH18 | Gobo Speed | 0 | Fast |
| | | 1--254 | From fast to slow |
| | | 255 | Fast |
| CH19 | Focus Speed | 0--255 | From fast to slow |
| CH20 | Macro Speed | 0--255 | From fast to slow, pan / tilt macro speed |

Dimensions and Weight

Length of base (including handles): 44 cm

Width: 33 cm

Height (head horizontal): 47 cm

Carton case size: 45.5*42*55 cm

Flight case size: 75*50*69 cm (2 units)

Net weight: 16 kg

Gross weight (carton case): 18 kg

Gross weight (flight case): 56.55 kg

We hope you are satisfied with this product we offer. As long as you can correctly use this device strictly in accordance with this product instruction, we can guarantee it works normally within three years.